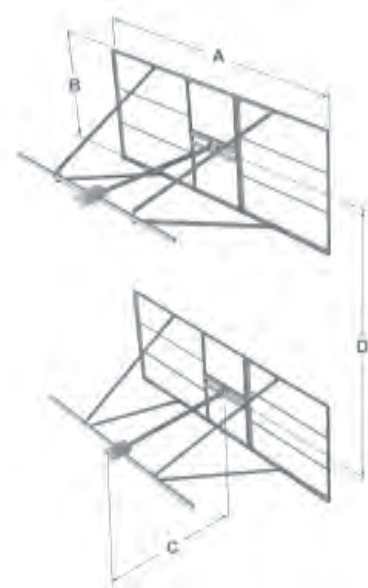


### FEATURES

- horizontal polarization
- band 1° panel 47 ÷ 68 MHz
- 7.5 dB gain
- directional pattern
- suitable for square towers
- stainless steel dipoles

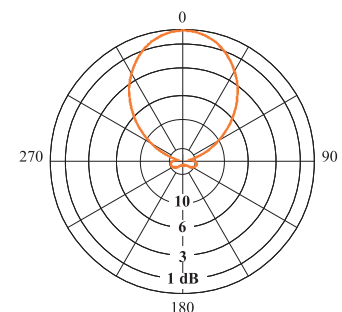


VHF ANTENNAS

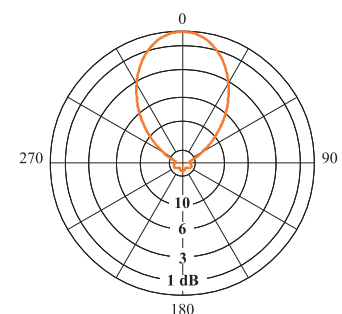
ELECTRICAL DATA			
ANTENNA TYPE	1VTV-05/2C	1VTV-05/3C	1VTV-05/4C
FREQUENCY RANGE	47÷54 MHz (channel 2)	54÷61 MHz (channel 3)	61÷68 MHz (channel 4)
IMPEDANCE	50 ohm		
CONNECTOR	2 x 7/8" EIA		
MAX POWER	2 x 2.5 kW		
VSWR	≤1.15		
POLARIZATION	Horizontal		
GAIN (referred to half wave dipole)	7.5 dB		
HALF POWER BEAMWIDTH	E-Plane ± 35° H-Plane ± 27°		
LIGHTNING PROTECTION	All Metal Parts DC Grounded		

MECHANICAL DATA				
DIMENSIONS (mm)	A	3360	2960	2660
	B	1300	1170	1050
	C	1700	1620	1420
	D	2850	2500	2310
WEIGHT (kg)		145	130	120
WIND LOAD (kN) 150 km/h		2.40	2.15	1.95
MAX WIND VELOCITY		220 km/h		
MATERIALS		Reflector (hot dip galvanized steel) Dipole (stainless steel) Internal parts (silver plated brass, polished brass, deoxidized aluminium) Radome (fiberglass)		
ICING PROTECTION		Feed point radome		
RADOME COLOUR		Grey (standard)		
MOUNTING		Directly on supporting mast		

**RADIATION PATTERNS**  
(Mid Channel)



**E-Plane**



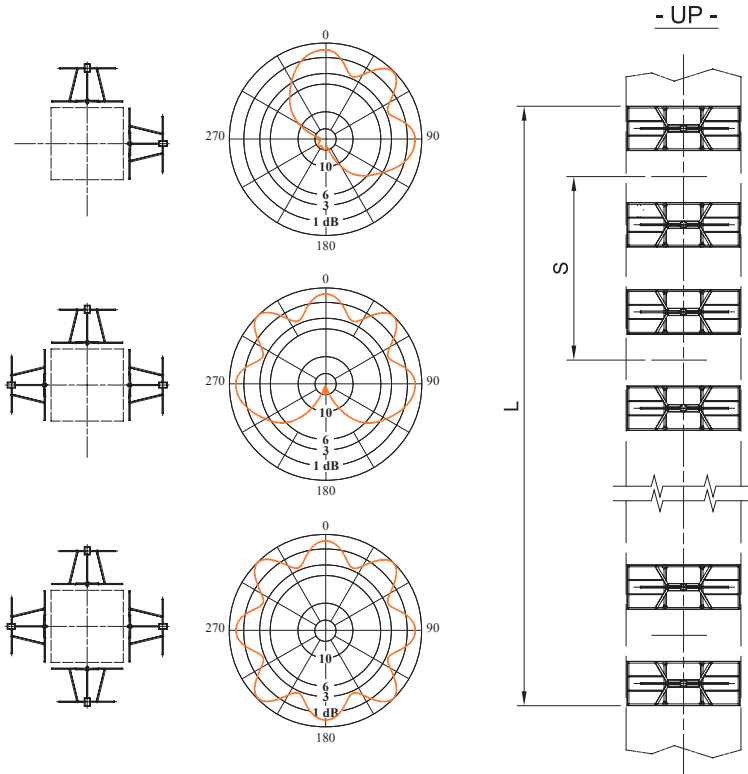
**H-Plane**

Specifications are subject to change without prior notice

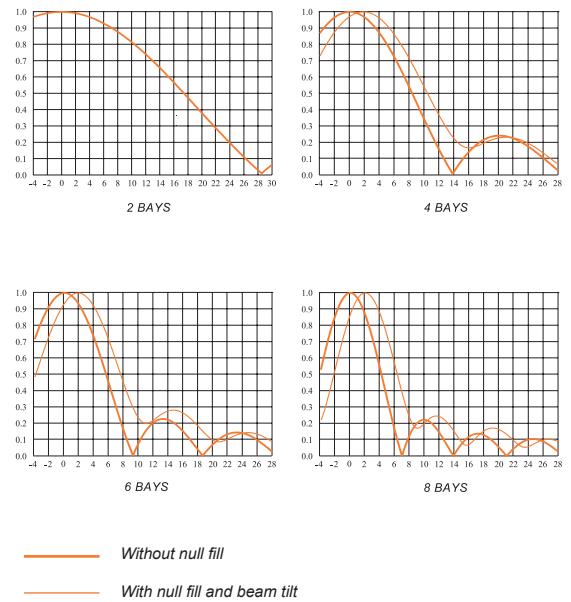
# 1VTV-05/.C

## VHF PANEL ANTENNA

### HORIZONTAL PATTERNS WITH 2, 3 AND 4 FACES



### VERTICAL PATTERN



### TECHNICAL DATA

NUMBER OF BAYS	PANELS PER BAY	GAIN dB (1)	GAIN TIMES (1)	WEIGHT kg (2)			ANTENNA HEIGHT L m (Spacing S in m)			WIND LOAD kN (3)		
				ch.2 47÷54 MHz	ch.3 54÷61 MHz	ch.4 61÷68 MHz	ch.2 47÷54 MHz	ch.3 54÷61 MHz	ch.4 61÷68 MHz	ch.2 47÷54 MHz	ch.3 54÷61 MHz	ch.4 61÷68 MHz
1	2	5.2	3.3	300	270	250				3.7	3.3	3.1
	3	3.6	2.3	470	425	395	4.15	3.67	3.36	5.5	5.0	4.7
	4	2	1.6	650	590	550				6.8	6.1	5.6
2	1	11.2	13.2	300	270	250				7.0	6.2	5.8
	2	8.2	6.6	650	590	550	10.55	9.27	8.36	7.4	6.6	6.1
	3	6.6	4.6	1010	920	860	(6.4)	(5.6)	(5.0)	11.1	9.9	9.3
4	4	5.2	3.3	1320	1200	1120				13.4	12.2	11.2
	1	14.2	26.3	650	590	550				14.4	12.8	12
	2	11.2	13.2	1320	1200	1120	23.35	20.47	18.36	14.8	13.1	12.1
	3	9.6	9.1	1950	1770	1650	(6.4)	(5.6)	(5.0)	22.2	19.9	18.6
6	4	8.2	6.6	2600	2360	2200				26.8	24.3	22.3
	1	16	39.8	1010	920	860				21.8	19.4	18
	2	13	20	1950	1770	1650	36.15	31.67	28.36	22.3	19.7	18.1
	3	11.4	13.8	2900	2630	2450	(6.4)	(5.6)	(5.0)	33.3	29.3	27.9
8	4	10	10	3800	3440	3200				40.3	36.5	33.5
	1	17.4	55	1320	1200	1120				29.2	26	24
	2	14.4	27.5	2600	2360	2200	48.95	42.87	38.36	29.7	26.2	24.2
	3	12.6	18.2	3800	3440	3200	(6.4)	(5.6)	(5.0)	44.4	39.7	37.2
	4	11.4	13.8	5000	4520	4200				53.7	48.6	44.6

(1) referred to half wave dipole. Losses of power distribution network not included.

(2) without mounting hardware

(3) v= 150 km/h

Specifications are subject to change without prior notice