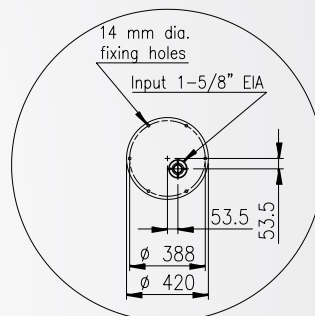
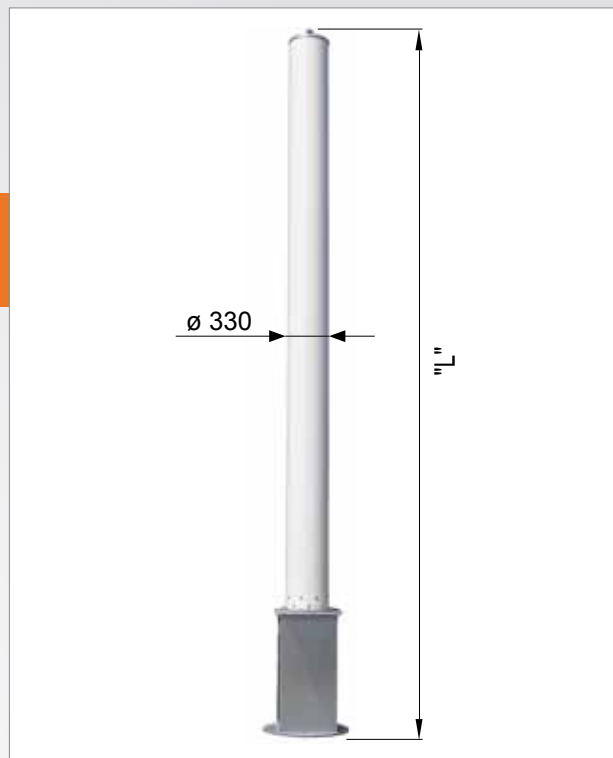


UTV-11/P

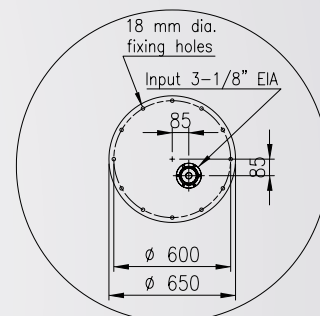
UHF SUPERTURNSTILE ANTENNA

FEATURES

- horizontal polarization
- broadband 470 ÷ 860 MHz
- omnidirectional pattern
- self supporting radome



base referred to UTV-11/2/P



base referred to UTV-11/4/P

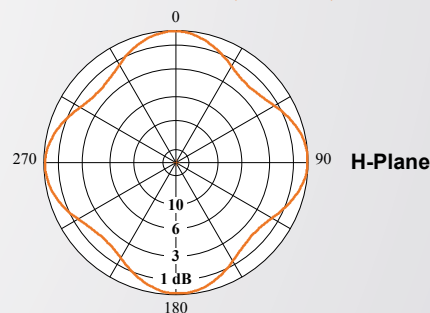
ELECTRICAL DATA

ANTENNA TYPE	UTV-11/2/P	UTV-11/4/P
FREQUENCY RANGE	470 ÷ 860 MHz	
IMPEDANCE	50 ohm	
CONNECTOR	1-5/8" EIA	3-1/8" EIA
MAX POWER	5 kW	10 kW
VSWR	≤ 1.1	
POLARIZATION	Horizontal	
GAIN (referred to half wave dipole)	8 dB	11 dB
LIGHTNING PROTECTION	All metal parts DC grounded	

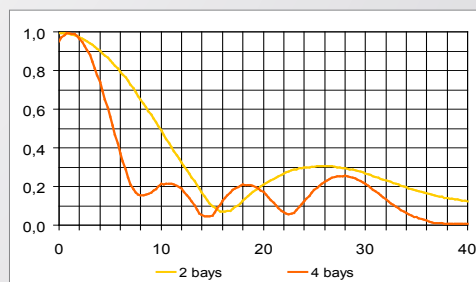
MECHANICAL DATA

DIAMETER	420 mm	650 mm
ANTENNA HEIGHT "L"	2902 mm	5346 mm
WEIGHT	73 kg	230 kg
WIND SURFACE	0.96 m ²	1.85 m ²
WIND LOAD (at 150 km/h)	0.76 kN	1.58 kN
MAX WIND VELOCITY	220 km/h	
MATERIALS	Brass, aluminium, stainless steel, galvanized steel, teflon, fiberglass (radome)	
ICING PROTECTION	Full radome	
RADOME COLOUR	Grey	
MOUNTING	Directly on top of existing mast by means of a flange	

RADIATION PATTERNS (Mid Band)



H-Plane



V-Plane