

FEATURES

- vertical polarization
- broadband 225 ÷ 400 MHz
- 2 dBi gain
- omnidirectional multi-element antenna consisting of four independently fed UHF dipoles

ELECTRICAL DATA

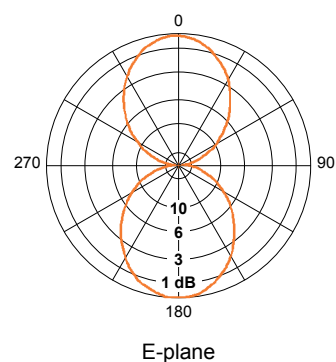
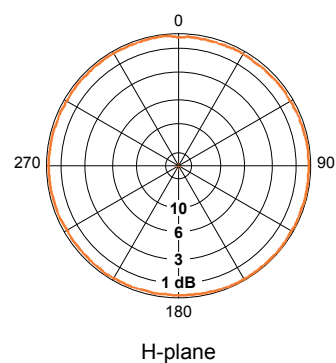
TYPE	TBT 02-360/U4
FREQUENCY RANGE	225 ÷ 400 MHz
IMPEDANCE	50 ohm
CONNECTOR	NF
MAX POWER	400 W
VSWR	≤ 2.0
POLARIZATION	Vertical
GAIN	2 dBi
HALF POWER BEAMWIDTH	E-plane 75° H-plane 360°
DECOUPLING (between adjacent dipoles)	>27 dB
LIGHTNING PROTECTION	The metal parts of the antenna, including the mounting kit and the inner conductors are DC grounded

MECHANICAL DATA

DIMENSIONS	4770 x ø 169 mm
WEIGHT	44 kg
WIND SURFACE	0.81 m ²
WIND LOAD (wind speed 150 km/h)	610 N
MAX. WIND VELOCITY	240 km/h
ICING PROTECTION	Full radome
RADOME COLOUR	Grey (std.), other on request
MOUNTING	On a flanged supporting pipe Flange 290 mm diameter



RADIATION PATTERNS (Mid Band)

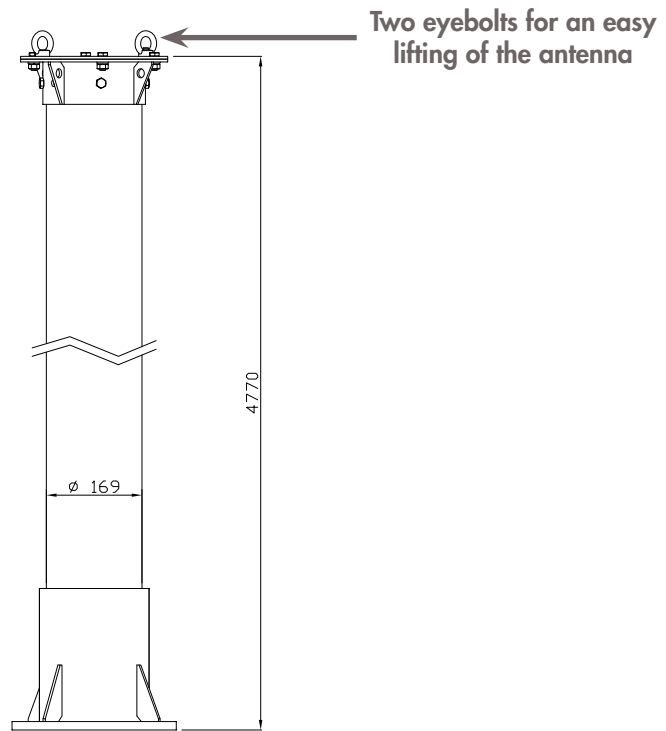
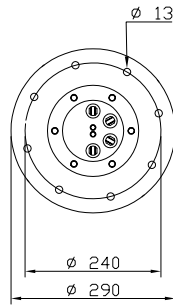


ADDITIONAL INFORMATION

Mounting: The antenna can be attached on the top of a flanged supporting pipe.

Materials:

Radiator:	Aluminium, brass.
Radome:	Fiberglass, colour: grey.
Base:	Hot dip galvanized steel.
All screws and nuts:	Stainless steel.



PLEASE NOTE:

As a result of more stringent legal regulations and judgements regarding product liability, we are obliged to point out certain risks that may arise when products are used under extraordinary operating conditions.

The mechanical design is based on the environmental conditions as stipulated in ETS 300 019-1-4, which include the static mechanical load imposed on an antenna by wind at maximum velocity.

Extraordinary operating conditions, such as heavy icing or exceptional dynamic stress (e.g. strain caused by oscillating support structures), may result in the breakage of an antenna or even cause it to fall to the ground. These facts must be considered during the site planning process.

The installation team must be properly qualified and also be familiar with the relevant national safety regulations.

The details given in our data sheets have to be followed carefully when installing the antennas and accessories.

The limits for the coupling torque of RF-connectors, recommended by the connector manufacturers must be obeyed.