

TBT 02-360/V

GROUND TO AIR COMMUNICATION OMNIDIRECTIONAL ANTENNA



FEATURES

- vertical polarization
- broadband 108 ÷ 156 MHz
- 2 dBi gain
- omnidirectional pattern

ELECTRICAL DATA

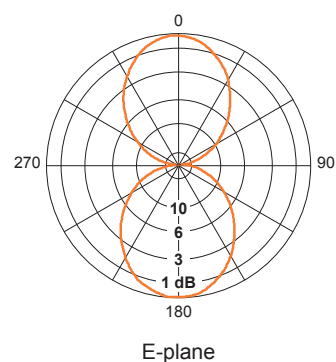
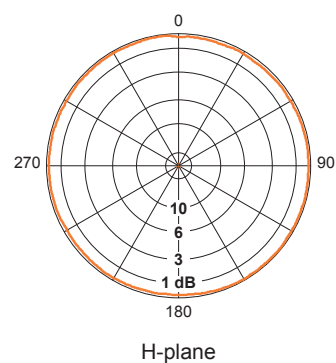
TYPE	TBT 02-360/V
FREQUENCY RANGE	108 ÷ 156 MHz
IMPEDANCE	50 ohm
CONNECTOR	NF
MAX POWER	500 W
VSWR	≤ 2.0 ≤ 1.6 (118 ÷ 137 MHz)
POLARIZATION	Vertical
GAIN	2 dBi
HALF POWER BEAMWIDTH	E-plane 75° H-plane 360° (omni ± 0.3 dB)
LIGHTNING PROTECTION	All metal parts of the antenna, including the mounting kit and the inner conductor, are DC grounded

MECHANICAL DATA

DIMENSIONS	1392 x ø 82 mm
WEIGHT (braket excluded)	7 kg
WIND SURFACE	0.11 m ²
WIND LOAD (wind speed 150 km/h)	120 N
MAX. WIND VELOCITY	240 km/h
ICING PROTECTION	Full radome
RADOME COLOUR	Grey (std.), other on request
MOUNTING	On pole
PACKING	1570 x 190 x 190 mm



RADIATION PATTERNS (Mid Band)



ADDITIONAL INFORMATION

Mounting:

The antenna can be attached laterally at the tip of a tubular mast of 60-120 mm diameter with two brackets supplied with the antenna (connecting cable runs outside the mast).

Materials:

Radiator:

Aluminium.

Radome:

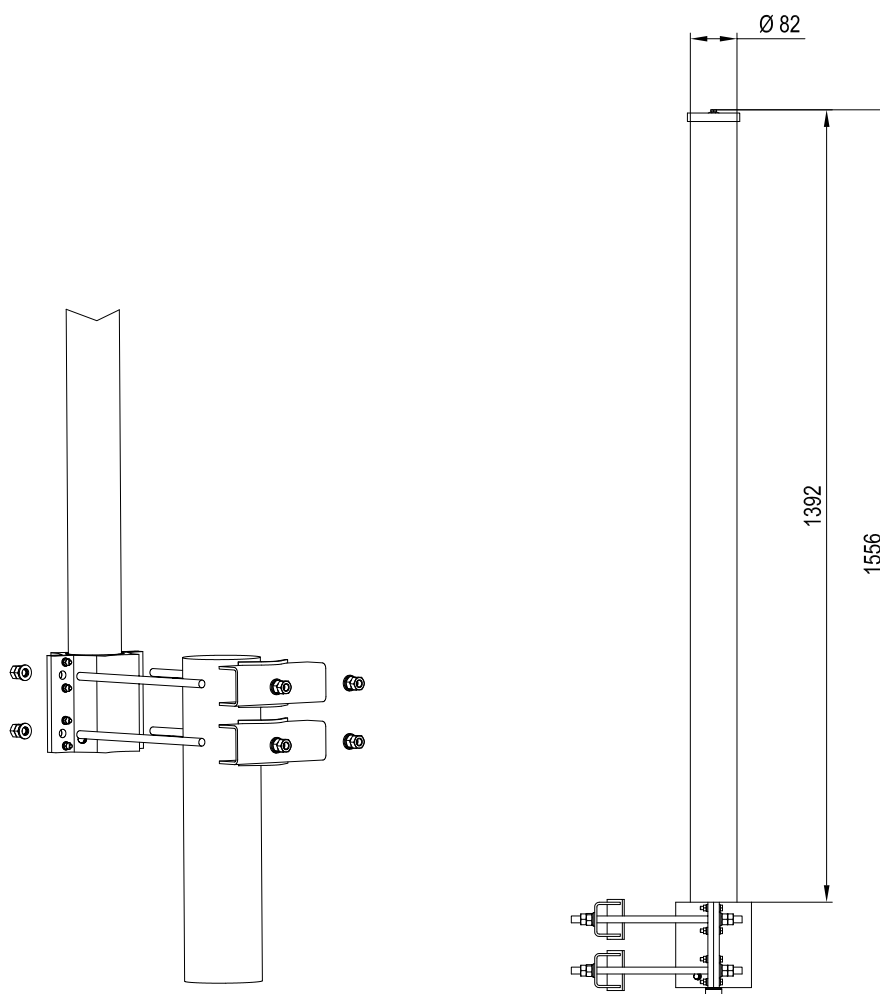
Fiberglass, colour: Grey.

Base:

Weather-proof aluminium.

Mounting kit, screws and nuts:

Stainless steel.



PLEASE NOTE:

As a result of more stringent legal regulations and judgements regarding product liability, we are obliged to point out certain risks that may arise when products are used under extraordinary operating conditions.

The mechanical design is based on the environmental conditions as stipulated in ETS 300 019-1-4, which include the static mechanical load imposed on an antenna by wind at maximum velocity.

Extraordinary operating conditions, such as heavy icing or exceptional dynamic stress (e.g. strain caused by oscillating support structures), may result in the breakage of an antenna or even cause it to fall to the ground. These facts must be considered during the site planning process.

The installation team must be properly qualified and also be familiar with the relevant national safety regulations.

The details given in our data sheets have to be followed carefully when installing the antennas and accessories.

The limits for the coupling torque of RF-connectors, recommended by the connector manufacturers must be obeyed.